

# PTS 525 Series Microminiature Tact Switch for SMT



## Features/Benefits

- Ultra low profile, 0.8 & 1.5 mm actuator height
- Long life
- Compact package of 5.25 x 5.25 mm saves PCB space
- RoHS compliant and compatible

## Typical Applications

- Consumer products
- Instrumentation
- Computer products
- Hand-held devices
- Automotive diagnostic equipment

## Specification

FUNCTION: Momentary action  
CONTACT ARRANGEMENT: SPST, N.O.  
TERMINALS: PC pins

## Mechanical

ACTUATION FORCE: PTS525 models: 160 grams, 260 grams  
LIFE EXPECTANCY: 100,000 operations.

## Electrical

CONTACT RATING: 50 mA @ 12 V DC.  
DIELECTRIC STRENGTH: 250 V AC min.  
CONTACT RESISTANCE: 100 mΩ max. initial.  
INSULATION RESISTANCE: 10<sup>11</sup> Ω min.  
ELECTRICAL TRAVEL: 0,30 ± 0,04 mm

**NOTE:** Specifications listed above are for switches with standard options.  
For information on specific and custom switches, consult Customer Service Center.

## Environmental

OPERATING TEMPERATURE: -40°C to 60°C

## Process

SMT capable of IR solder process. Lead free soldering process compatible. Do not clean switch with solvents.

## Materials

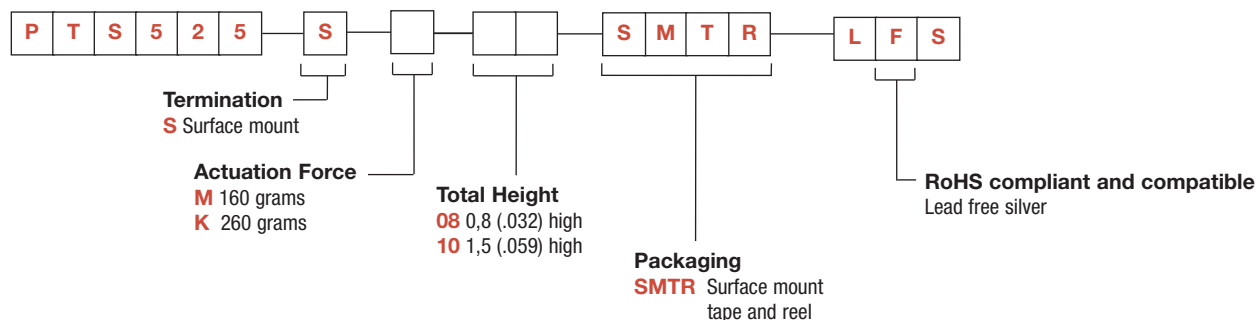
BASE: 6/6 nylon or glass filled polyester (PBT) (UL 94V-0).  
ACTUATOR: 6/6 nylon or polyacetal (UL 94HB).  
DOME CONTACTS: Phosphor bronze, silver clad.  
STATIONARY CONTACTS: Brass, silver plated.  
TERMINALS: Brass, silver plated. Insert molded.

## Packaging

SM10SMTR, SK10SMTR (3000 pieces per Tape and Reel)  
SM08SMTR, SK08SMTR (5000 pieces per Tape and Reel)

## How To Order

Our easy build-a-switch concept allows you to mix and match options to create the switch you need. To order, select desired option from each category and place it in the appropriate box.

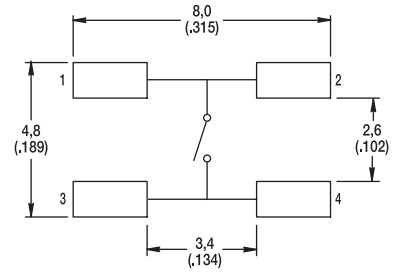
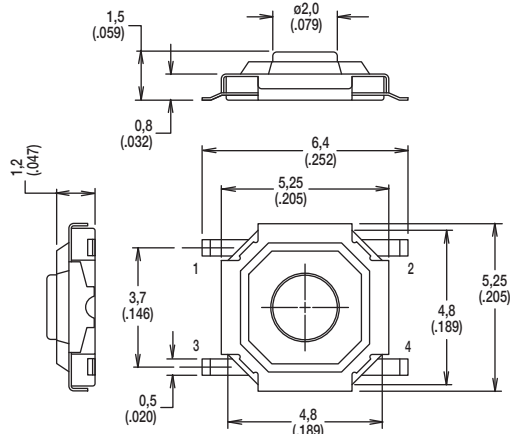


# PTS 525 Series Microminiature Tact Switch for SMT

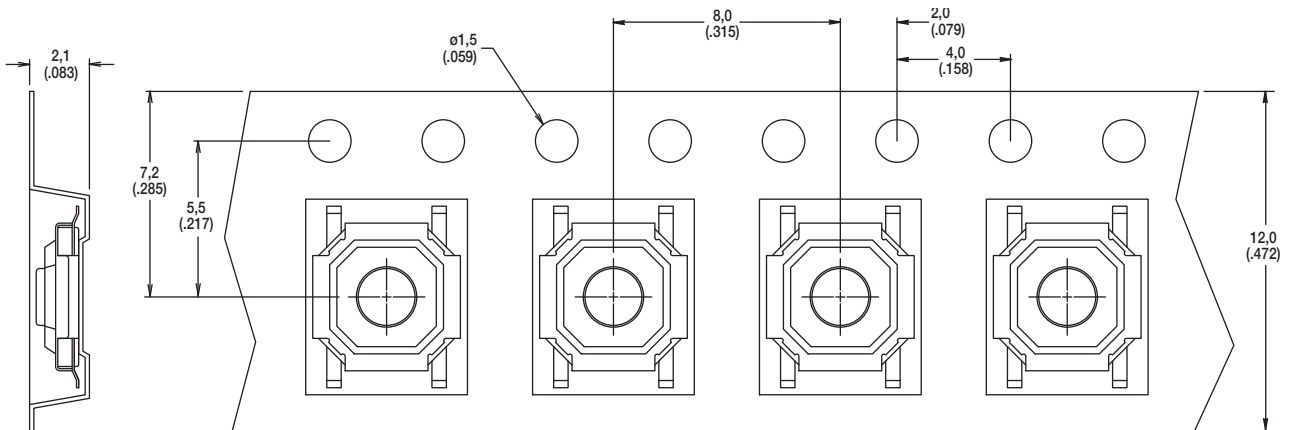
PTS525



PTS525SM10SMTR



## TAPE & REEL



→  
DIRECTION OF FEED

Tactile Switches